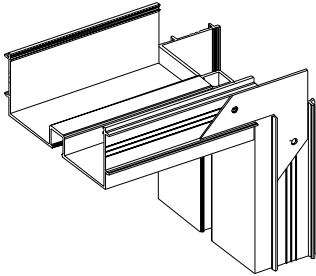


Eclipse Systems, Inc.

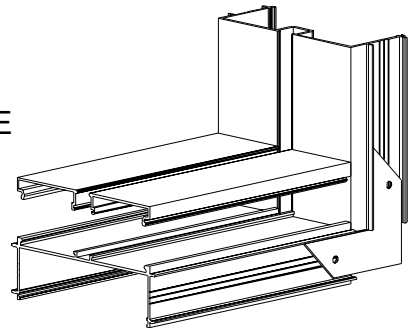
Trim System - Borrowed Lite Frame Instructions

1) SLIP UPRIGHT JAMBS OVER WALL. BUTT UP TO HEADER, CHECK FINISHED OPENING WIDTH AND PLUMB. FASTEN TO WALL USING TYPE 'S' DRYWALL SCREWS, SPACED A MINIMUM OF TWO INCHES FROM EACH END AND A MAXIMUM OF 12" ON CENTER

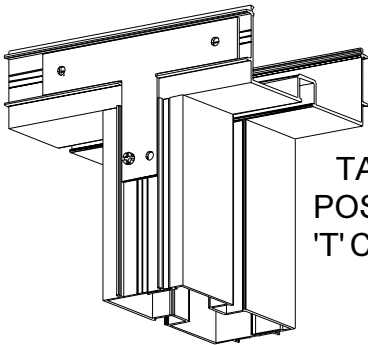


2) ATTACH UPRIGHT JAMBS TO HEADER USING ONE CORNER CLIP AND AT LEAST FOUR ½" LONG SELF-TAPPING SCREWS AT EACH CORNER AND ON EACH SIDE OF THE WALL. ATTACH HEADER TO WALL AS IN STEP 1.

3) SLIDE SILL OVER WALL BETWEEN UPRIGHTS. SQUARE AND ATTACH TO SIDE JAMBS USING CORNER CLIPS AS IN STEP 2. FASTEN TO WALL AS IN STEP 1.

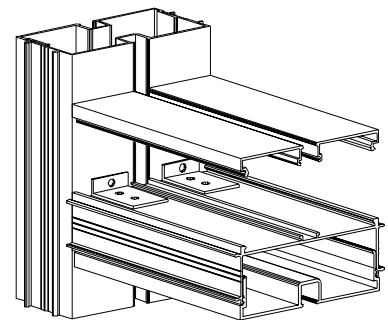


SKIP STEPS 4 & 5 IF FRAME HAS NO MULLIONS



4) VERTICAL MULLIONS - ASSEMBLE MULLION BY SLIDING REGLET INTO UPRIGHT JAMB AND SECURING WITH SELF-TAPPING SCREWS. ATTACH MULLION TO HEADER AT PROPER POSITION USING 'T' CLIPS. NOTE: HEADER MUST BE NOTCHED FOR 'T' CLIP

5) HORIZONTAL MULLIONS - ASSEMBLE MULLION BY SLIDING REGLET INTO MULLION SILL SECTION AND SECURING WITH SELF-TAPPING SCREWS. ATTACH MULLION TO JAMBS AT PROPER POSITION USING MULLION CLIPS AND SECURING WITH SELF-TAPPING SCREWS.



6) WITH SNAP-IN GLASS STOP REMOVED FROM SILL, SET GLASS WITH WET GLAZING COMPOUND. INSTALL GLASS STOP.

7) SNAP-ON TRIM TO COVER SCREWS AND FINISH FRAME. TRIM IS MITERED AT CORNERS AND SQUARE AT MULLIONS.