

Eclipse Systems, Inc.

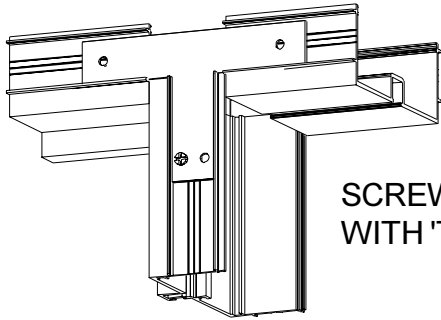
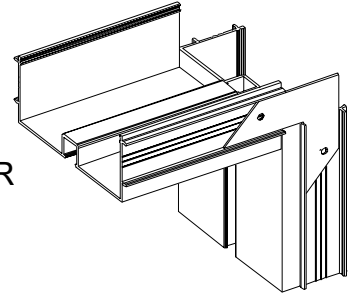
Standard or Flush Trim System Sidelite Frame Installation

Instructions

ROUGH OPENING SHOULD BE NOMINAL DOOR WIDTH + INSIDE SIDELITE WIDTH + 3 1/2" (+ 3-1/8" FOR FLUSH TRIM STYLE) AND NOMINAL HEIGHT + 3/4"

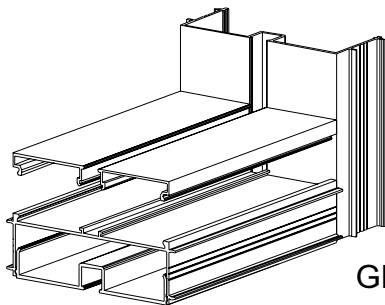
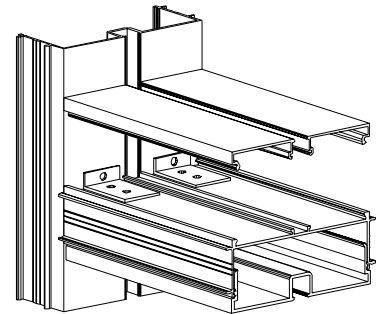
1) INSTALL DOOR FRAME ACCORDING TO THE ECLIPSE DOOR FRAME INSTALLATION INSTRUCTIONS.

2) SLIP UPRIGHT GLAZING JAMB OVER WALL. BUTT UP TO HEADER. ATTACH GLAZING JAMB TO HEADER USING A CORNER CLIP AND AT LEAST FOUR 1/2" LONG SELF-TAPPING SCREWS AT EACH CORNER AND ON EACH SIDE OF THE WALL.



3) ASSEMBLE STRIKE MULLION BY SLIDING REGLET INTO UPRIGHT STRIKE JAMB AND SECURING WITH SELF-TAPPING SCREWS. ATTACH MULLION TO DOOR FRAME AND GLAZING HEADER WITH 'T' CLIPS. NOTE: HEAD MUST BE NOTCHED FOR 'T' CLIP

4) ASSEMBLE HORIZONTAL MULLION BY SLIDING REGLET INTO MULLION SILL SECTION AND SECURING WITH SELF-TAPPING SCREWS. ATTACH MULLION TO JAMBS AT PROPER POSITION USING MULLION CLIPS AND SECURING WITH SELF-TAPPING SCREWS.



5) SLIDE SILL BETWEEN UPRIGHTS **HOLDING SILL 1/8" OFF FLOOR.**

6) WITH SNAP-IN GLASS STOP REMOVED FROM SILL, SET GLASS WITH WET GLAZING COMPOUND. INSTALL GLASS STOP.

7) SNAP-ON TRIM TO COVER SCREWS AND FINISH FRAME. TRIM IS MITERED AT CORNERS AND SQUARE AT MULLIONS. NOTE - TRIM AT STRIKE MULLION MUST BE NOTCHED FOR "T" CLIP.

NOTE: EXTENDED LIP STRIKES AND 4 1/2" WIDE HINGES MUST BE USED ON THE FLUSH TRIM SYSTEM.

Eclipse Systems, Inc., 943 Hanson Court, Milpitas, CA 95035 - Ph (408) 263-2201 - Fax (408) 263-