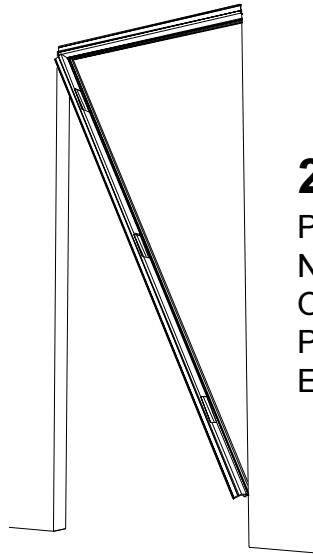
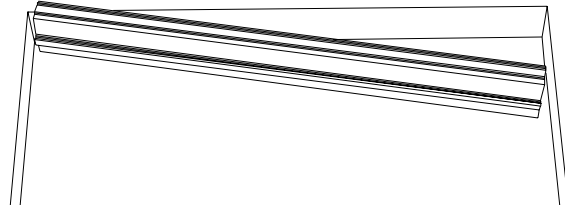


Eclipse Systems, Inc.

20 Minute Rated Door Frame Installation Instructions

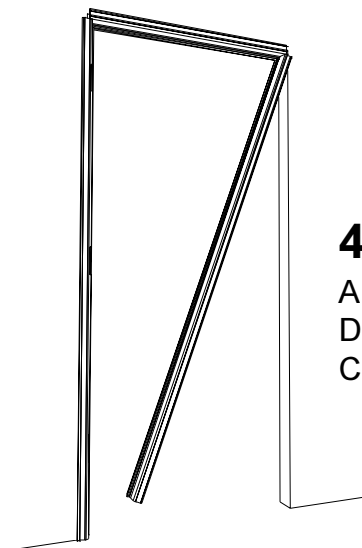
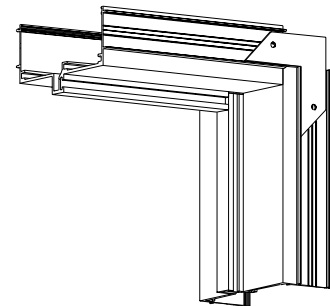
ROUGH OPENING SHOULD BE 1-1/2" OVER NOMINAL WIDTH
AND 3/4" OVER NOMINAL HEIGHT

- 1)** DETERMINE HIGH SIDE OF FLOOR AND CUT JAMBS, AT BOTTOM, TO REQUIRED HEIGHT. SLIP HEADER OVER WALL.



- 2)** HOLDING HINGE JAMB AT AN ANGLE, SLIP THE TOP (NOTCHED) PORTION OVER THE WALL. SLIDE UPWARD AND INTERLOCK NOTCH WITH STOP ON HEADER, THEN SLIDE THE REMAINDER OF THE JAMB OVER THE WALL. SLIDE JAMB DOWN TO FLOOR, PLUMB AND SECURE WITH TWO 1-1/8 OR 1-5/8 SCREWS AT EACH HINGE AS WELL AS AT TOP AND BOTTOM OF JAMB.

- 3)** PUSH HEAD AGAINST JAMB AND SQUARE. INSTALL CORNER CLIPS AND SECURE HEAD TO WALL.



- 4)** SLIDE STRIKE JAMB INTO PLACE, AS IN STEP 2. PLUMB AND SQUARE WITH HEADER. SECURE TO WALL WITH 1-1/2" DRYWALL SCREWS AT 12" ON CENTER MINIMUM AND INSTALL CORNER CLIPS.

- 5)** CHECK FRAME FOR PLUMB AND SQUARE. CUT TRIM TO REQUIRED LENGTH AND SNAP ON TO FRAME. INSTALL DOOR AND HARDWARE.