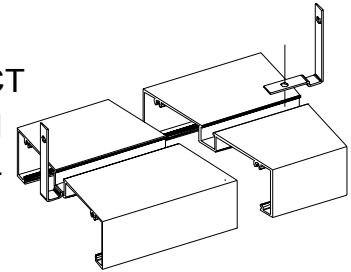


Eclipse Systems, Inc.

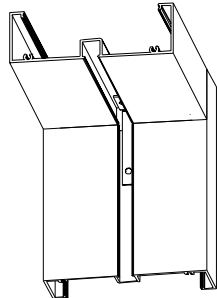
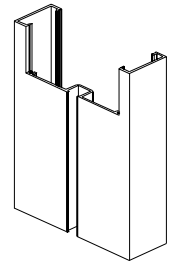
Compression System - Borrowed Lite Frame Instructions

1) CUT HEAD COMPONENTS OF GLAZING RAIL TO EXACT FINISH DIMENSION. PLACING HEAD COMPONENT ON GROUND, INSTALL CORNER CLIP ON EACH END OF RAIL USING 1/2" SELF TAPPING PAN HEAD SCREWS

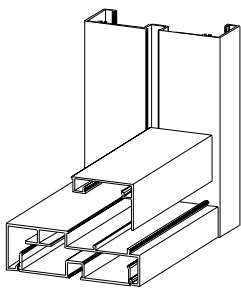


2) MAKE SURE "NOTCH"  IN CLIP IS SECURED TIGHTLY AGAINST HEAD RAIL COMPONENT. INSTALL HEAD RAIL INTO ROUGH OPENING.

3) CUT LEG COMPONENTS OF GLAZING RAIL TO EXACT FINISH DIMENSIONS. NOTCH TOP END OF RAIL AS SHOWN.

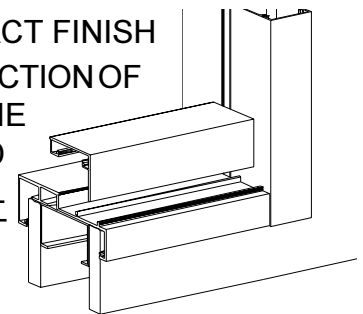


4) SECURE VERTICAL GLAZING RAIL SLIDING CORNER CLIP FROM HEAD COMPONENT INTO GLAZING POCKET IN VERTICAL LEG. WITH CORNER AND GLAZING POCKETS ALIGNED SECURE WITH 1/2" SELF TAPPING PAN HEAD SCREWS THROUGH CLIP INTO EACH VERTICAL LEG.



FLOOR MOUNT

5) CUT SILL & STOP COMPONENTS TO EXACT FINISH DIMENSION. FOR FLOOR MOUNT ATTACH A SECTION OF GLAZING SNAP-IN, UPSIDE-DOWN, TO THE FLOOR. INSTALL CORNER CLIP ON EACH END OF SILL AS IN STEP 1. SLIP SILL OVER WALL (OR SNAP-IN PIECE). SET GLASS WITH WET GLAZING COMPOUND AND INSTALL STOP.



WALL MOUNT