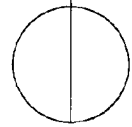


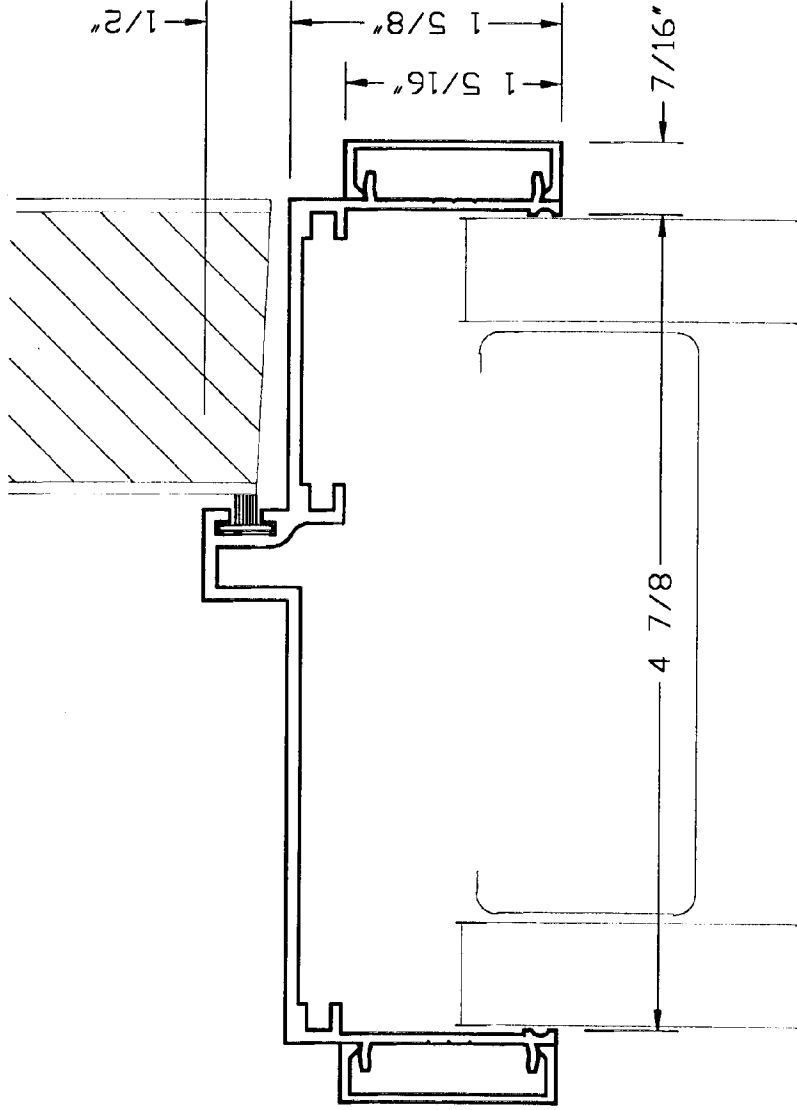
ECLIPSE ALUMINUM 3-3/4"
DOOR FRAME DETAIL



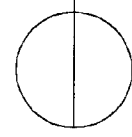
Eclipse Systems, Inc.
943 Hanson Ct., Milpitas, CA 95035
(408) 263-2201

Date Drawn

Drawing File **334DF**



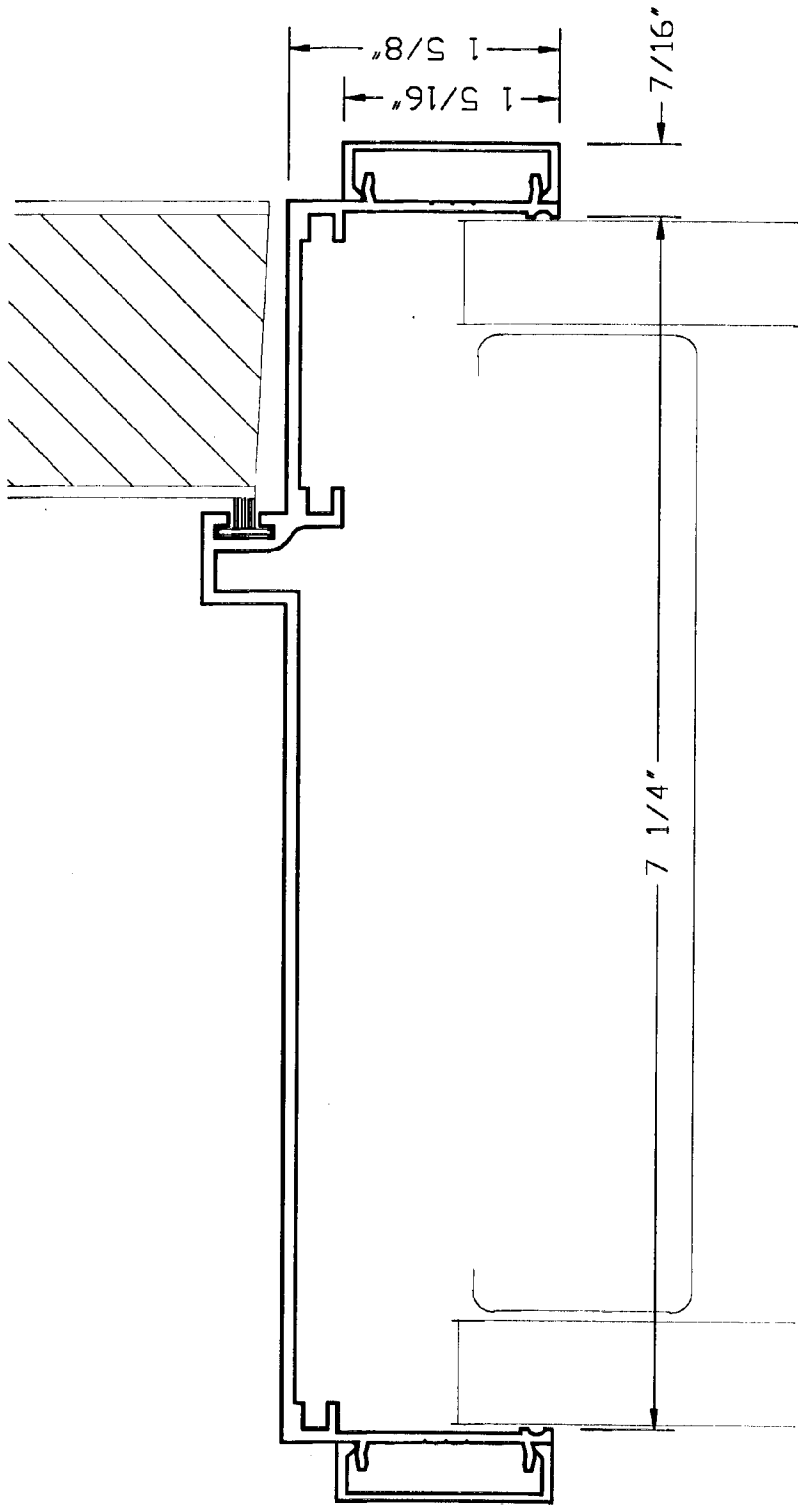
ECLIPSE ALUMINUM 4-7/8"
DOOR FRAME DETAIL



Eclipse Systems, Inc.
943 Hanson Ct., Milpitas, CA 95035
(408) 263-2201

Date Drawn

Drawing File **478DF**



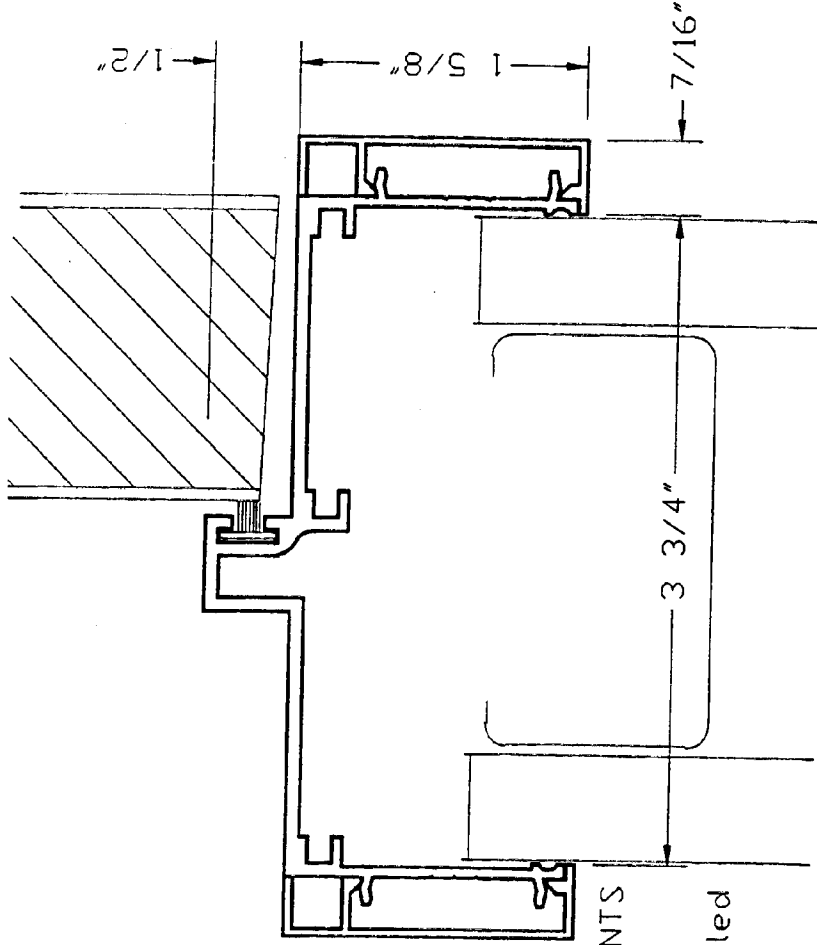
○
 ECLIPSE ALUMINUM 7-1/4"
 DOOR FRAME DETAIL


 Eclipse Systems, Inc.
 943 Hanson Ct., Milpitas, CA 95035
 (408) 263-2201

Date Drawn

Drawing File

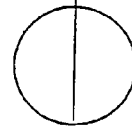
714DF



ADDITIONAL REQUIREMENTS

1. Extended lip strike must be used
2. Trim must be installed prior to door installation

ECLIPSE ALUMINUM 3-3/4"
 DOOR FRAME DETAIL
 WITH FLUSH TRIM

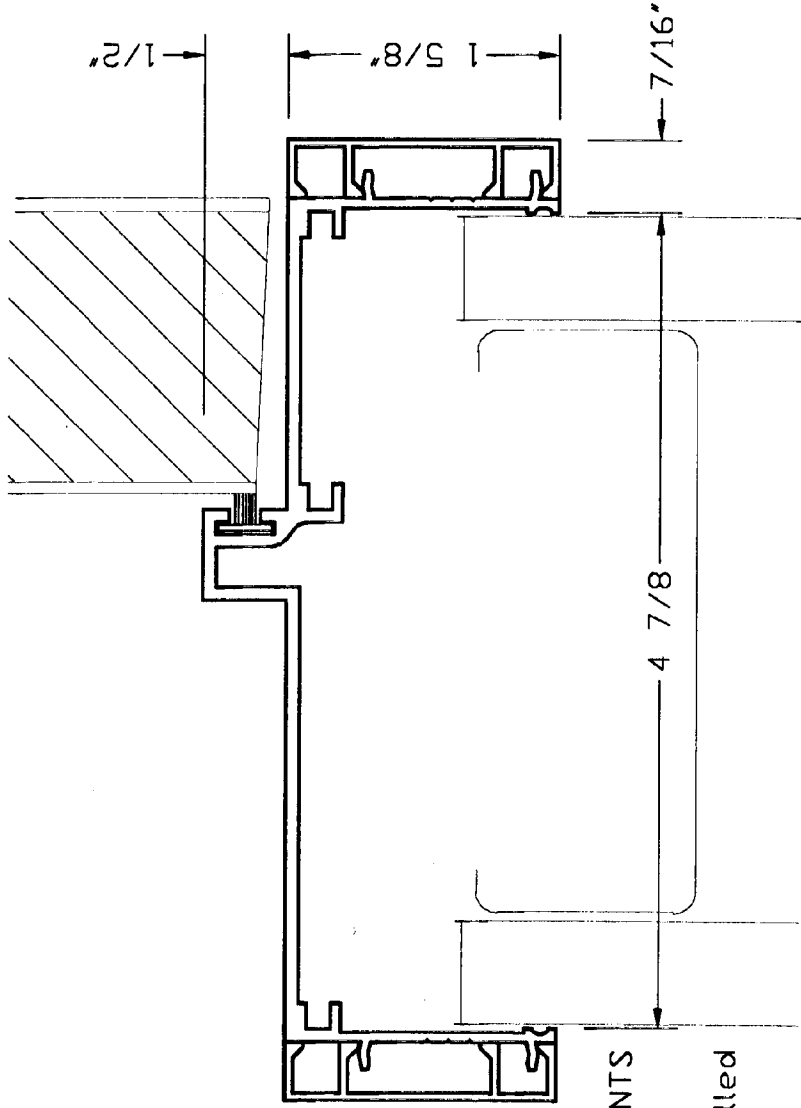


Eclipse Systems, Inc.
 943 Hanson Ct., Milpitas, CA 95035
 (408) 263-2201

Date Drawn

Drawing File

334DFF



ECLIPSE ALUMINUM 4-7/8"
 FLUSH TRIMED
 DOOR FRAME DETAIL

- ADDITIONAL REQUIREMENTS
1. Extended lip strike must be used
 2. Trim must be installed prior to door installation

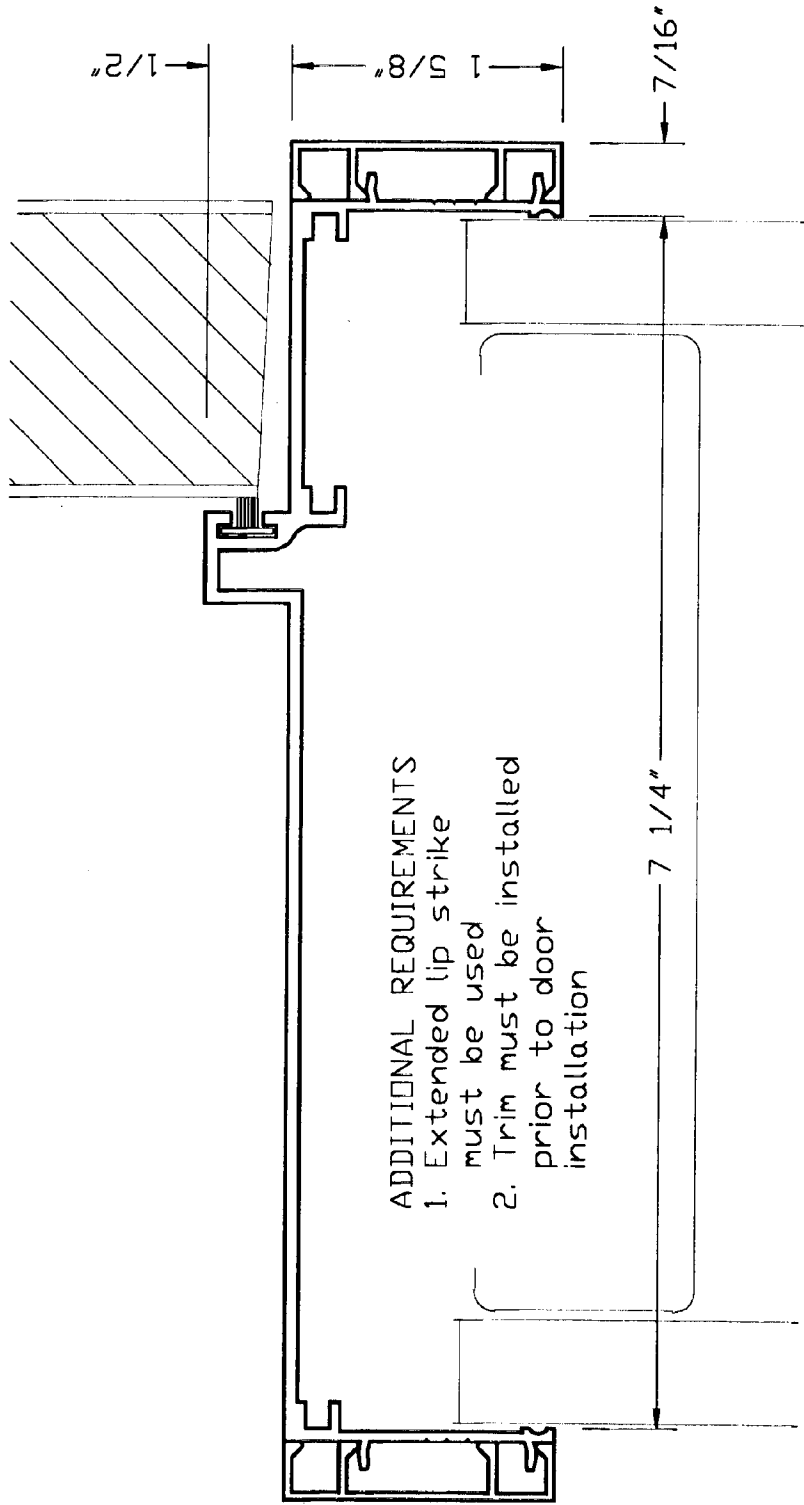
Eclipse Systems, Inc.
 943 Hanson Ct., Milpitas, CA 95035
 (408) 263-2201



Date Drawn

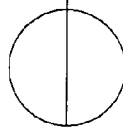
Drawing File

478DFF



- ADDITIONAL REQUIREMENTS
1. Extended lip strike must be used
 2. Trim must be installed prior to door installation

ECLIPSE ALUMINUM 7-1/4"
 FLUSH TRIM STYLE
 DOOR FRAME DETAIL



Eclipse Systems, Inc.
 943 Hanson Ct., Milpitas, CA 95035
 (408) 263-2201

Date Drawn

Drawing File **714DFF**